

IT Security Technology for Your Business



FLOOR-STANDING CABINETS



SZB

SZB SE

OTS1

SZB DO

DSR

SZE2 PC

SZBk

SJB

SJB Silent

SZU

FLOOR-STANDING CABINETS

SZB 19" NETWORK CABINET



SZB cabinet in the basic configuration, 800 mm wide

STANDARD UNIVERSAL DATA COMMUNICATION CABINET

- Designed for indoor applications.
- Offered in 32 size variations (see the chart on page 45), of which 10 variations are in constant sale from our warehouse.
- Individual configuration:
 - multiple door, panel, roof options for maximum flexibility,
 - possibility to join cabinets in a row,
 - levelling feet, castor or plinth options,
 - multiple alternative cable entry options (brush, foam),
 - 21" mounting profiles also possible (in 800 mm wide cabinets),
 - individual configuration using simple coding.
- Wide range of supplementary accessories: shelves, drawers, fan units, power strips, blanking plates etc.
- Flexibility in manufacturing tailor-made cabinets.

SCOPE OF DELIVERY

Cabinet in basic configuration*
(cat. no. WZ-SZB-xxx-17AA-11-0000-011):

- frame,
- safety glass front door,
- two side panels,
- steel rear door shortened with 3 U module panel with brush strip, lockable,
- standard roof, raised, with perforated sides,
- 2 pairs of 19" mounting profiles,
- earthing bar and cables,
- cabinet placed on levelling feet.

*) Other configurations - see page 45.



SZB cabinet in the basic configuration, 800 mm wide

TECHNICAL DATA

Material:

Frame, side panels, solid steel door, roof, mounting profiles, C-profiles - sheet steel
 Door with glass - sheet steel, acrylic glass
 Glass door - mineral safety glass
 Glass door with metal sides - mineral safety glass, sheet steel
 Outriggers - zamak casting.

Protection degree:

IP 20 in accordance with EN 60529
 (does not apply to brush cable entries).
 On request, IP 41 can be achieved.

Surface finishing:

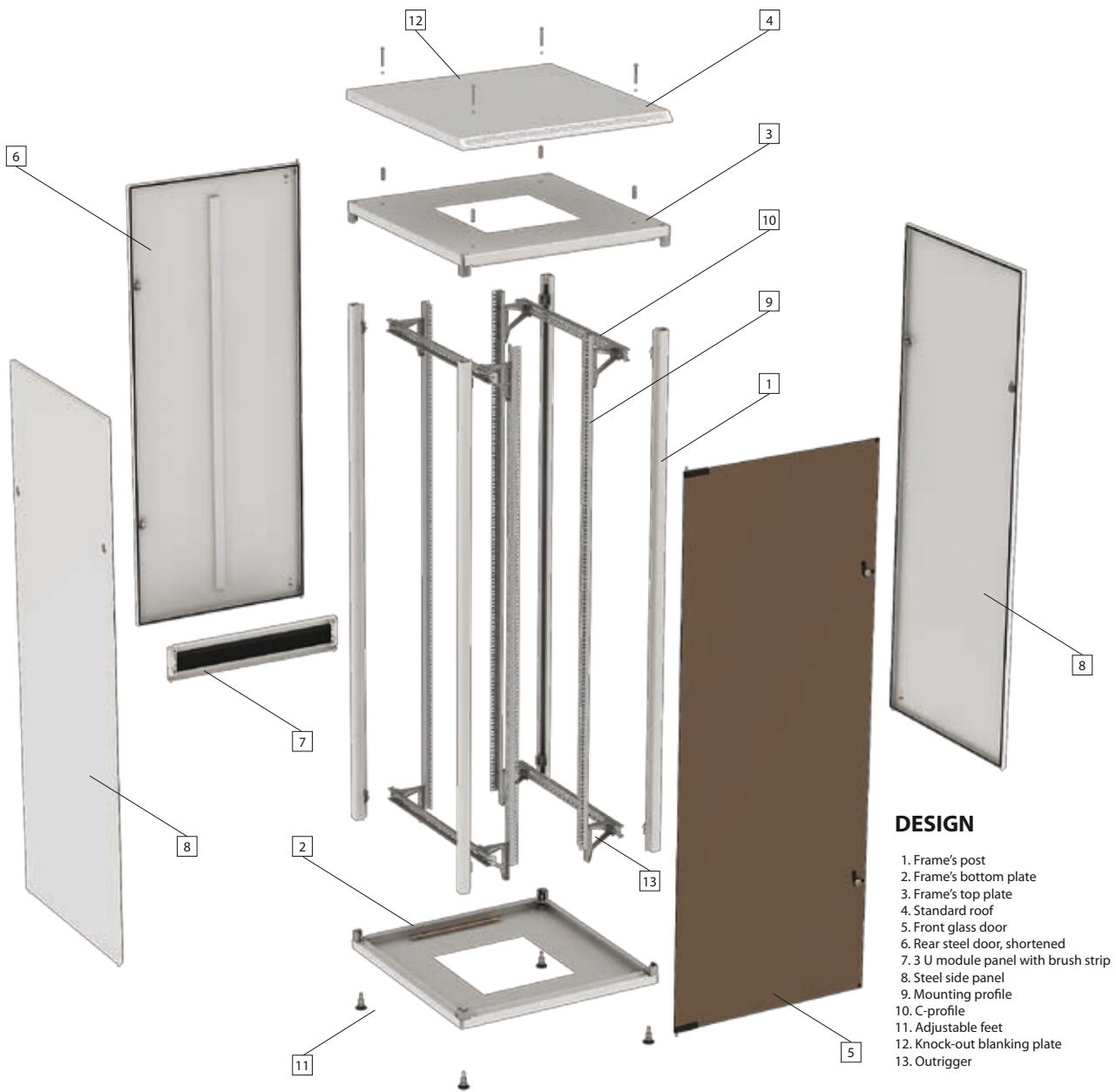
Frame, roof, panels, doors, plinth - powder paint, light grey (RAL 7035). All other colour options on request.

Mounting profiles, C-profiles - Al-Zn coated.

Maximum load capacity: see chart on page 43.



NETWORK CABINET **SZB 19"**



DESIGN

- 1. Frame's post
- 2. Frame's bottom plate
- 3. Frame's top plate
- 4. Standard roof
- 5. Front glass door
- 6. Rear steel door, shortened
- 7. 3 U module panel with brush strip
- 8. Steel side panel
- 9. Mounting profile
- 10. C-profile
- 11. Adjustable feet
- 12. Knock-out blanking plate
- 13. Outrigger

SZB cabinet 42 U, 800x800 mm in basic configuration
(Other available configurations are presented on pages 45-49)

INSTRUCTIONS FOR ORDERING SZB CABINET

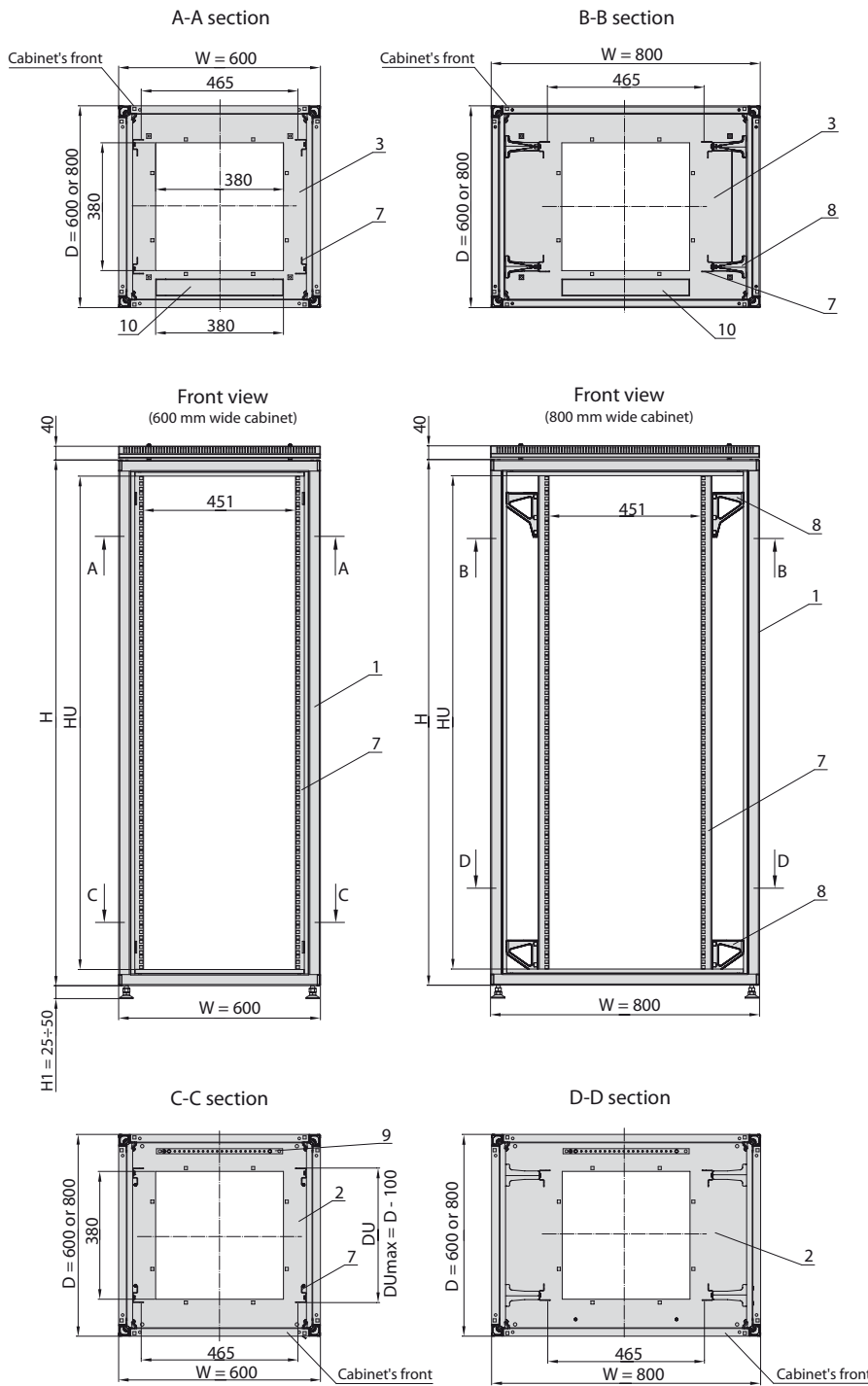
1. When ordering the SZB cabinet, please provide the appropriate **catalogue according to the information presented on page 45**, which specifies the overall dimensions, type of doors, panels, roof and base.
2. The next step is to specify **catalogue numbers of supplementary accessories** (such as: shelves, blanking plates, power strips, fan units etc.). Supplementary accessories are delivered in separate packaging including fixing hardware. On request it is also possible to mount supplementary accessories in the cabinet.

MAXIMUM LOAD CAPACITY FOR SZB CABINETS

| Base type | Maximum weight of equipment mounted in cabinet |
|--------------------|--|
| levelling feet | 1000 kg |
| castors - type 150 | 150 kg |
| castors - type 300 | 500 kg |
| plinth | 1000 kg |



SZB 19" NETWORK CABINET



DESIGN

1. Frame's post
2. Frame's bottom plate
3. Frame's top plate
4. Roof
5. Base (plinth, adjustable feet or castors)
6. C-profile
7. Mounting profile
8. Outrigger
9. Earthing bar
10. Knock-out blanking plate

Maximum door opening angle: 110°



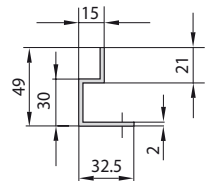
HEIGHT OF BASE H1

Feet: from 25 to 50 mm
 Plinth: 100 or 200 mm
 Castors, type 150: 108 mm
 Castors, type 300: 129 mm

Notes:

- The cabinet in the drawing is shown without any panels or doors.
- Cable opening in the top plate of the cabinet is covered with a knock-out blanking plate (12).

The same solution can be found in the roof of the cabinet (see the picture of a standard roof on page 48).
 Blanking plates for openings in the top and bottom plate - see pages 125.



NETWORK CABINET **SZB 19"**

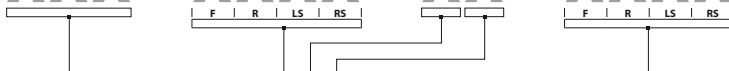
REFERENCE CHART

| Total width W [mm] | Total depth D [mm] | Reference number | | | | | | | |
|--|-----------------------|------------------|------|------|------|------|------|------|------|
| | | 5 | 17 | 53 | 149 | 153 | 89 | 101 | 113 |
| 800 | 800 | 5 | 17 | 53 | 149 | 153 | 89 | 101 | 113 |
| | 600 | 6 | 18 | 54 | 150 | 154 | 90 | 102 | 114 |
| 600 | 800 | 9 | 21 | 57 | 151 | 155 | 93 | 105 | 117 |
| | 600 | 10 | 22 | 58 | 152 | 156 | 94 | 106 | 118 |
| Usable height HU [U = 44.45 mm] | | 45 U | 42 U | 36 U | 33 U | 30 U | 24 U | 18 U | 15 U |
| Frame height H [mm] | | 2096 | 1963 | 1696 | 1563 | 1430 | 1163 | 896 | 763 |

- Note:**
- Cabinet options in the green shaded fields are available in constant supply from ZPAS S.A.'s warehouse (this refers to cabinets with the following configuration: frame, four adjustable mounting profiles, two side panels, front glass door, lockable steel rear door shortened with 3 U module panel with brush strip, standard roof with perforation, four levelling feet, earthing bar and earthing cables for the doors and side panels - cat. no. WZ-SZB-xxx-17AA-11-0000-011)..
 - Lead time of other cabinets to be agreed upon with ZPAS Sales Department.

CATALOGUE NUMBER OF SZB CABINET

WZ-SZB - XXX - XXXX - XX - XXXX - 011



Reference number
specifies the cabinet's overall dimensions (see reference chart). Zeros should be added before single-digit or double-digit numbers.

F - FRONT | R - REAR | LS - LEFT SIDE | RS - RIGHT SIDE |

Door or panel type:

- 0 - without door or without panel
- 1 - glass door with single-point locks
- 2 - solid steel door with single-point locks
- 7 - solid steel, shortened door with single-point locks + 1 piece of 3 U module panel with brush strip, mounted under the shortened door
- G - steel door with glass and three-point rod-latch lock with swing handle*
- H - solid steel door with three-point rod-latch lock with swing handle*
- I - perforated steel door (type A) with single-point locks
- L - perforated steel door (type A) with three-point rod-latch lock with swing handle*
- (LL) - perforated double-wing steel door (type A) with three-point rod-latch lock with swing handle*
- P - perforated steel door (type C) with single-point locks**
- S - perforated steel door (type C) with three-point rod-latch lock with swing handle**
- Z - glass door with metal sides and three-point rod-latch lock with swing handle*
- A - solid steel panel with single-point locks
- U - perforated steel panel (type A) with single-point locks
- Y - perforated steel panel (type C) with single-point locks**

*) Only as a front or rear door for cabinets higher than 18 U
 **) Only for 42 and 45 U cabinets

Perforation types (A, C) - see page 47

Roof type:

- 0 - without roof
- 1 - standard roof
- 2 - roof with extra perforation
- 3 - tight roof IP 41
- 4 - roof with opening for blanking/cable entry plate

For a detailed description of roof types, go to page 48.

F - FRONT | R - REAR | LS - LEFT SIDE | RS - RIGHT SIDE |

Configuration of plinth's sides:

Four digits which specify plinth side type.
Four zeros (0000) should be entered for cabinet without any plinth.

Each side can be:

- 1 - solid
- 2 - with perforation
- 3 - with double perforation*
- 4 - with a brush opening
- 5 - with two brush openings*
- 6 - with a brush opening and perforation*

*) Only for plinths 200 mm in height.

For a detailed descriptions of plinths, see pages 104-105.

Base type:

- 0 - without any base (cabinet set directly on bottom plate)
- 1 - levelling feet
- 2 - castors - type 150 (see page 106)
- 3 - castors - type 300 (see page 107)
- 4 - plinth 100 mm
- 5 - plinth 100 mm with levelling option
- 6 - plinth 200 mm
- 7 - plinth 200 mm with levelling option

Examples:

- The cat. no. **WZ-SZB-018-1AAA-14-2422-011** means SZB cabinet, usable height 42 U, width 800 mm, depth 600 mm. The cabinet is equipped with front glass door, two removable side panels and removable rear panel. The top is covered with the standard roof. Cabinet is situated on 100 mm plinth. Rear side of the plinth with brush opening for cable entry, all other sides are perforated. Doors, panels and roof are earthed. Cabinet interior is equipped with four mounting profiles installed to the frame by means of 8 outriggers.
- The cat. no. **WZ-SZB-022-(LL)(LL)AA-11-0000-011** means SZB cabinet, usable height 42 U, width and depth 600 mm. The cabinet is equipped with perforated double-wing front door, perforated double-wing rear door and two solid side panels. The top is covered with the standard roof. Cabinet is set on levelling feet.

Note:
The delivery of a standard SZB cabinet (except for elements listed in cat. no.) includes the following: four mounting profiles, earthing bar and earthing cables for doors and panels.



SZB 19" NETWORK CABINET

DOOR TYPES



[1] Glass door with single-point locks



[2] Solid steel door with single-point locks



[G] Steel door with glass and three-point rod-latch lock with swing handle



[H] Solid steel door with three-point rod-latch lock with swing handle



[I] Perforated steel door (type A) with single-point locks



[L] Perforated steel door (type A) with three-point rod-latch lock with swing handle

Note:

Symbols given in square parentheses [] refer to diagrams on page 45 - Door and panel types.



NETWORK CABINET **SZB 19"**

DOOR TYPES



[P] Perforated steel door (type C) with single-point locks



[S] Perforated steel door (type C) with three-point rod-latch lock with swing handle



[7] Solid steel, shortened door with single-point locks + 1 piece of 3 U module panel with brush strip, mounted under the shortened door



[LL] Perforated double-wing steel door (type A) with three-point rod-latch lock with swing handle

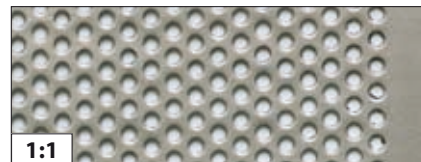


[Z] Glass door with metal sides and three-point rod-latch lock with swing handle



3 U module panel mounted in 800 mm wide cabinet

Perforation types for doors and panels



Perforation type A
clearance 30%



Perforation type C
clearance 80%

Note:

Symbols given in square parentheses [] refer to diagrams on page 45 - Door and panel types.



SZB 19" NETWORK CABINET

ROOF TYPES



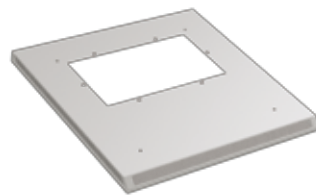
[1] standard roof. After removal of the knock-out blanking plate from the roof, the cable opening can be completed with brush strip - see pages 125)



[2] Roof with extra perforation (top)



[3] Tight roof with IP 41 protection



[4] Roof with opening 380x210 mm for blanking/cable entry plate 420x250 mm (blanking/cable entry plate should be ordered separately - see page 125)

Note:

Numbers given in square parentheses [] refer to diagrams on page 45 - Roof types.

SZB 19" NETWORK CABINET

SIDE PANEL TYPES



[A] Solid steel panel with single-point locks



[U] Perforated steel panel (type A) with single-point locks



[Y] Perforated steel panel (type C) with single-point locks

Note:

Symbols given in square parentheses [] refer to diagrams on page 45 - Door and panel types.



NETWORK CABINET **SZB 19"**

EXAMPLES OF NON-STANDARD SZB CABINETS



SZB cabinet with easy regulation of 19" mounting profiles



SZB cabinet 1000 mm wide, double-sectioned. Left section equipped with 19" mounting profiles. Right section with mounting angles in 300 mm spacing.



SZB cabinet 600 mm wide with double-wing door with perforation type B (clearance 69%)



Double-section SZB cabinet with air conditioner



SZB SE 19" SERVER CABINET



OFFERS PROTECTION OF INSTALLED EQUIPMENT IN SERVER ROOMS

- Offered in 24 different overall dimensions, including 2 types immediately available from the ZPAS S.A. warehouse.
- Expanded configuration system:
 - multiple door, panel, roof options for maximum flexibility,
 - possibility to join cabinets in a row,
 - possibility of optional cable entry,
 - easy coding system enables quick configuration of the cabinet.
- Possibility of controlling ventilating air flow by application of proper type of doors, side panels and fan units.
- Wide range of supplementary accessories: shelves, drawers, fan units, power strips, blanking plates etc.
- Non-standard cabinets are available on individual customer's request.

TECHNICAL DATA

Material:

Frame, side panels, doors, roof, mounting profiles, C-profiles - sheet steel
Outriggers - zamak casting.

Protection degree:

IP 20 in accordance with EN 60529 (does not apply to brush cable entries).

Surface finishing:

Frame, roof, panels, doors
- powder paint, light grey (RAL 7035) or black (RAL 9005).
All other colour options on request.

Mounting profiles, C-profiles - Al-Zn coated.

Maximum load capacity:

See chart on page 51.



Cabinet SZB SE 42 U, 600x1000 mm, colour: RAL 7035, set on levelling feet, door with perforation type C, two pairs of mounting profiles in 19" spacing.
Catalogue no.
WZ-SZBSE-006-5711-11-0000-2-011

SCOPE OF DELIVERY

- cabinet frame,
- perforated front and rear steel door (perforation type C - see page 52), with three-point rod-latch lock with swing handle,
- two side panels made of unperforated steel sheets,
- standard roof (with 1 or 3 cable openings covered with knock-out blanking plates):
600 mm cabinets – 1 opening, 800 mm cabinets – 3 openings; for details, go to page 52),
- two pairs of mounting profiles, spaced at 19",
- earthing strip and cables,
- levelling feet.

The cabinets immediately available from the manufacturer's warehouse – see page 51.
For other cabinet versions, see page 53



SERVER CABINET **SZB SE 19"**

Cabinets immediately available from the manufacturer's warehouse



Cabinet SZB SE 42 U, 800x1000 mm, colour: RAL 9005, set on levelling feet, door with perforation type C, two pairs of mounting profiles in 19" spacing
 Catalogue no.
 WZ-SZBSE-005-5711-11-0000-2-161



REFERENCE CHART

| Height [U = 44.45 mm] | Width [mm] | Depth [mm] | Catalogue number | |
|--------------------------|---------------|---------------|---------------------------------|---------------------------------|
| | | | Cabinet finished in RAL 7035 | Cabinet finished in RAL 9005 |
| 42 U | 800 | 1000 | WZ-SZBSE-005-5711-11-0000-2-011 | WZ-SZBSE-005-5711-11-0000-2-161 |
| | 600 | 1000 | WZ-SZBSE-006-5711-11-0000-2-011 | WZ-SZBSE-006-5711-11-0000-2-161 |

Note

The table above lists selected cabinet versions only, which are immediately available from the warehouse. When ordering cabinets with different overall dimensions or a different configuration of components (items available on demand), please use the coding system provided on page 53.

INSTRUCTIONS FOR ORDERING SZB SE 19" CABINETS

- When ordering a SZB SE cabinet, please provide the appropriate **catalogue number according to the above chart or configuration system on page 53** which specifies overall dimensions of the cabinet, types of doors, panels, roof and base, the layout of mounting profiles or angles, and the colour.
- The next step is to specify **catalogue numbers of supplementary accessories** (such as shelves, blanking plates, power strips, fan units etc.). Supplementary accessories are delivered in separate packaging together with fixing hardware.

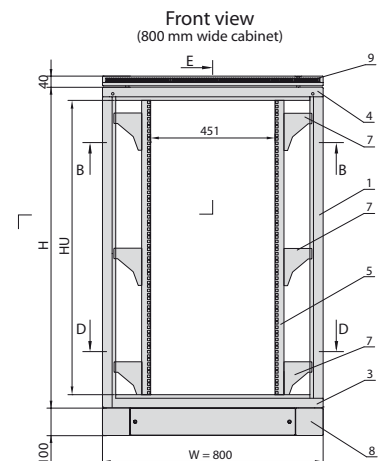
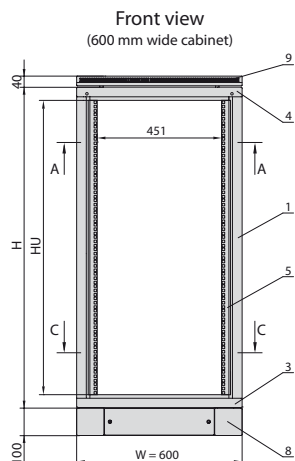
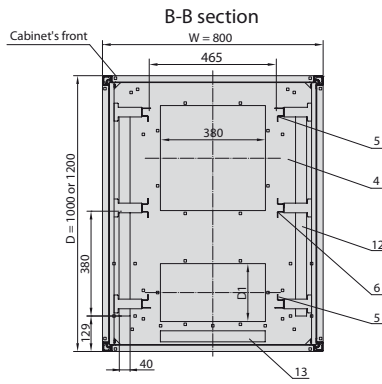
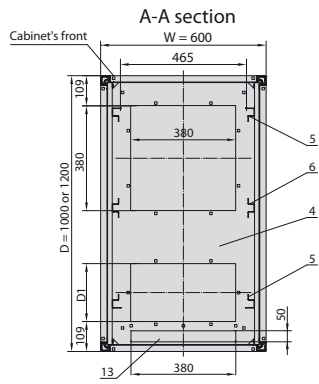
MAXIMUM LOAD CAPACITY FOR SZB SE CABINETS

| Base type | Maximum weight of equipment mounted in cabinet |
|--------------------|--|
| levelling feet | 1360 kg* |
| castors - type 300 | 500 kg |
| plinth | 1360 kg* |

*) Declared carrying capacity is valid if maintaining the maximum distance between mounting profiles within the cabinet. If the cabinet is set on feet, for ensuring carrying capacity you must also tighten jam nuts to the bottom plate.

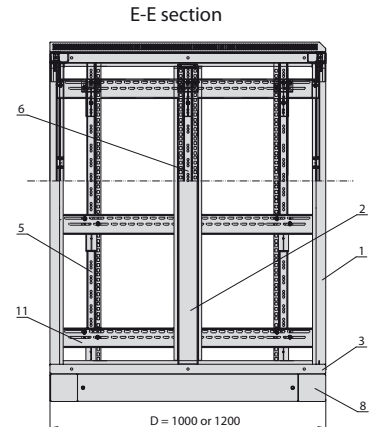
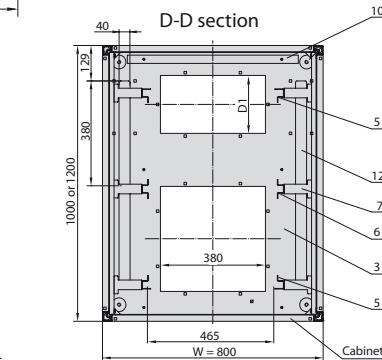
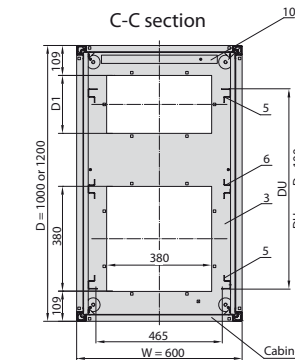


SZB SE 19" SERVER CABINET



DESIGN

1. Frame's post
2. Frame's middle post (only for cabinets 1200 mm in depth)
3. Frame's bottom plate
4. Frame's top plate
5. Mounting profile
6. Middle mounting profile
7. Outrigger
8. Plinth
9. Roof
10. Earthing strip
11. C-profile
12. Knock-out side blanking plate
13. Knock-out rear blanking plate



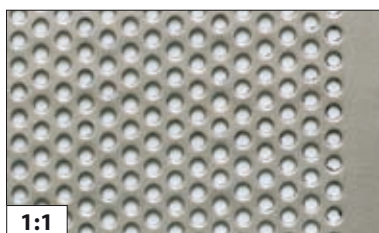
| Dimensions [mm] | |
|-----------------|-----|
| D | D1 |
| 1000 | 210 |
| 1200 | 380 |

HEIGHT OF BASE H1

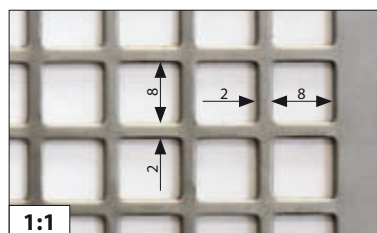
Feet: from 25 to 50 mm
 Plinth: 100 or 200 mm
 Castors, type 300: 129 mm

- Notes:**
- The cabinet in the drawing is shown without any panels or doors.
 - A wide range of blanking and cable entry plates can be matched with openings in the top and bottom plates and – optionally – in the roof of a cabinet. The 380x40 and 380x50 mm openings are blinded with knock-out blanking plates as a standard.
 - 1200 mm deep cabinets have additional frame's middle posts (item 2)

PERFORATION TYPES FOR DOORS AND PANELS



Perforation type A
clearance 30%



Perforation type B
clearance 69%



Perforation type C
clearance 80%



SERVER CABINET **SZB SE 19"**

REFERENCE CHART

| Width W [mm] | Depth D [mm] | Reference number | | | | | |
|---------------------------------|--------------|------------------|------|------|------|------|------|
| | | 1 | 3 | 5 | 9 | 11 | 13 |
| 800 | 1000 | 1 | 3 | 5 | 9 | 11 | 13 |
| | 1200 | 21 | 23 | 25 | 29 | 31 | 33 |
| 600 | 1000 | 2 | 4 | 6 | 10 | 12 | 14 |
| | 1200 | 22 | 24 | 26 | 30 | 32 | 34 |
| Usable height HU [U = 44.45 mm] | | 47 U | 45 U | 42 U | 36 U | 33 U | 24 U |
| Frame height H [mm] | | 2186 | 2096 | 1963 | 1696 | 1563 | 1163 |

Note: Cabinet versions marked in green are immediately available from the manufacturer's warehouse – see page 51

CATALOGUE NUMBER OF SZB SE CABINET

WZ-SZBSE - XXX - XXXX - XX - XXXX - X - XXX

Reference number
specifies the cabinet's overall dimensions (see reference chart).
Zeros shall be added before single-digit or double-digit numbers.

Front door types:
0 - without door
1 - solid steel door
2 - steel door with perforation type A
3 - glass door
4 - glass door with perforated metal sides, rod-lath lock and swing handle
5 - steel door with perforation type C, equipped with rod-lath lock and swing handle (the door is available only for the following cabinets: 42, 45 and 47 U)
6 - steel door with perforation type B, equipped with rod-lath lock and swing handle

Rear door or panel types:
0 - without door or without panel
1 - solid steel door
2 - solid steel door, shortened, with one 3 U module panel*
3 - solid steel door, shortened, with two 3 U module panels*
4 - steel door with perforation type A
5 - steel door with perforation type A, shortened, with one 3 U module panel*
6 - steel door with perforation type A, shortened, with two 3 U module panels*
7 - steel door with perforation type C, equipped with rod-lath lock and swing handle (the door is available only for the following cabinets: 42, 45 and 47 U)
8 - steel door with perforation type C, shortened, with one 3 U* module panel, equipped with rod-lath lock and swing handle (the door is available only for 45 U cabinets)
I - steel door with perforation type B, equipped with rod-lath lock and swing handle
A - solid steel panel
B - solid steel panel, shortened, with one 3 U module panel*
C - solid steel panel, shortened, with two 3 U module panels*
D - steel panel with perforation type A
E - steel panel with perforation type A, shortened, with one 3 U module panel*
F - steel panel with perforation type A, shortened, with two 3 U module panels*
G - steel panel with perforation type C (the door is available only for the following cabinets: 42, 45 and 47 U)
H - steel panel with perforation type C, shortened, with one 3 U module panel* (the panel is available only for 45 U cabinets)
J - steel panel with perforation type B
*) 3 U module panel with a brush strip

Cabinet's colour:
011 - RAL 7035 161 - RAL 9005

Layout of mounting profiles or mounting angles inside the cabinet:
1 - two pairs of 19" mounting profiles and one pair of middle mounting profiles
2 - two pairs of 19" mounting profiles
3 - two pairs of 19" mounting angles

Configuration of plinth sides
Four digits which specify plinth side type.
Four zeros (0000) should be entered for cabinets without a plinth.

Each side can be:

- 1 - solid
- 2 - with perforation
- 3 - with double perforation*
- 4 - with a brush opening
- 5 - with two brush openings*
- 6 - with a brush opening and perforation*
- 7 - with a pull out stabiliser**

*) Only for plinths 200 mm in height.
**) Only as a front side for 100 mm plinths.

For a detailed description of plinths, see pages 104-105.

Base types:

- 0 - without any base
- 1 - levelling feet
- 2 - castors, type 300 (see page 107)
- 3 - plinth, 100 mm high
- 4 - plinth, 200 mm high
- 5 - plinth, 100 mm high with levelling option
- 6 - plinth, 200 mm high with levelling option

Roof types:

- 1 - standard roof
- 2 - roof with openings for blanking or cable entry plates

For a detailed description of roofs, see page 124

Side panel types:

- 0 - without any panel
- 1 - solid steel panel
- 2 - perforated steel panel (type A)

Notes:
 • The delivery of standard SZB SE cabinets (except for elements listed in the catalogue no.) includes an earthing strip and earthing cables for doors and side panels.
 • Blanking and cable entry plates for the top plate, bottom plate and roof, as well as other elements of supplementary accessories, must be ordered separately.



SZB SE 19" SERVER CABINET

EXAMPLES OF SZB SE CABINETS



Cabinets with door and panels with perforation type A

SERVER CABINET **SZB SE 19"**

EXAMPLES OF SZB SE CABINETS



Cabinet with door with perforation type C, without side panels



Cabinet with glass door

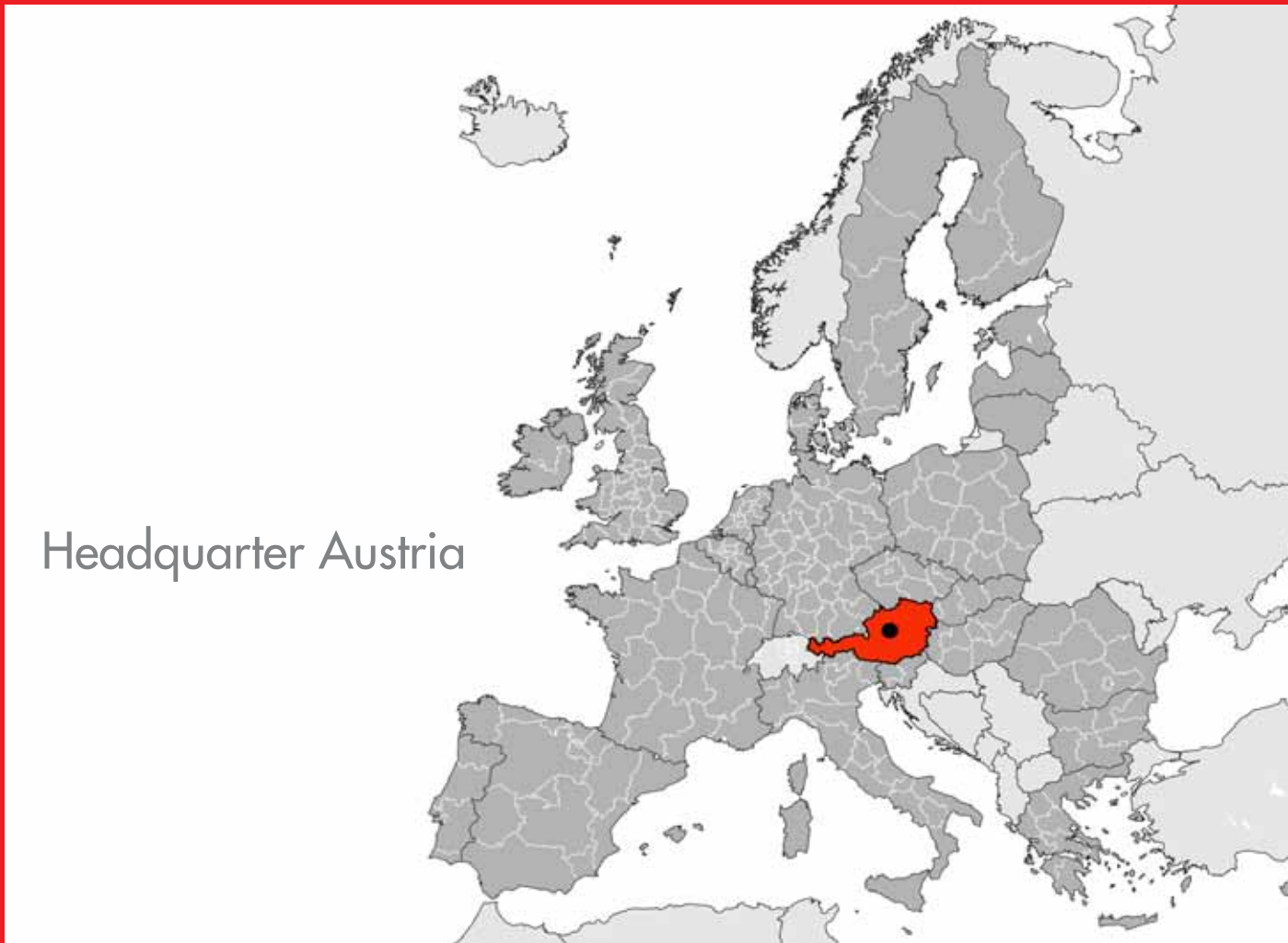


Cabinet with glass front door with perforated metal sides, rod-lath lock and swing handle



Server cabinets with tailor made doors





BRODINGER



BRODINGER IT-Security Technology
Bahnhofstrasse 9
AT-4843 Ampflwang im Hausruckwald

phone: +43(0)7675 20121
fax: +43(0)7675 20122

Support hotline (7x 24 h)
+43(0)810 00 17 34

email: office@brodinger.at | www.brodinger.at

your trading partner: